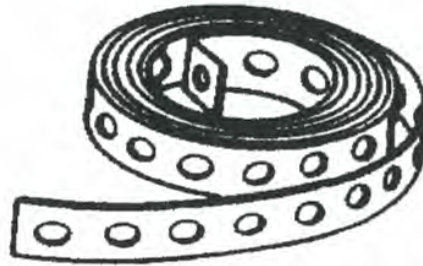


Perforated Hanger Strapping - K5600



Part Number	Size	Wt./C (Lbs.)		
		10'	50'	100'
K5600	3/4" x 20ga	83	415	830

Material: Plain or Pre-Galvanized Carbon Steel, Pre-Copper Plated Carbon Steel, Type 304 Stainless Steel

Finish: Plain, Pre-Galvanized or Copper Plated

Service: Designed for various light duty applications

Ordering: Specify gauge, length, part number and finish

Note: Stainless Steel hangers are recommended for applications where protection from corrosive environments is needed



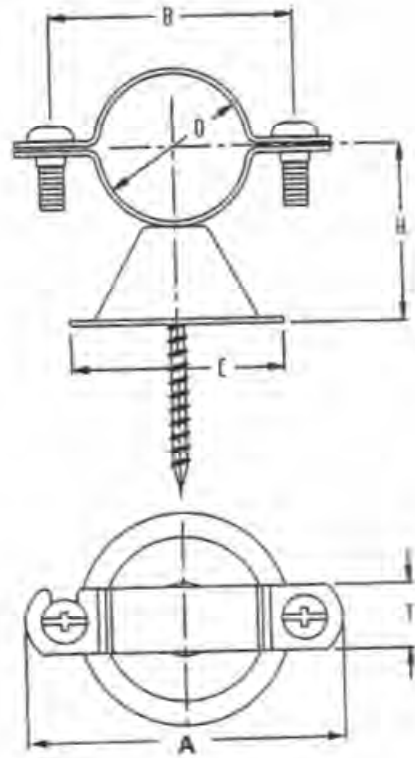
Van (Bell Type) Hanger - K5800CU

Material: Carbon Steel

Finish: Copper Plated, COPPER-GUARD (with Stainless Steel screws)

Services: Designed to support copper tubing to the wall. Supports the pipe 1" from the back of the pipe to the wall. The wood screw is concealed upon installation

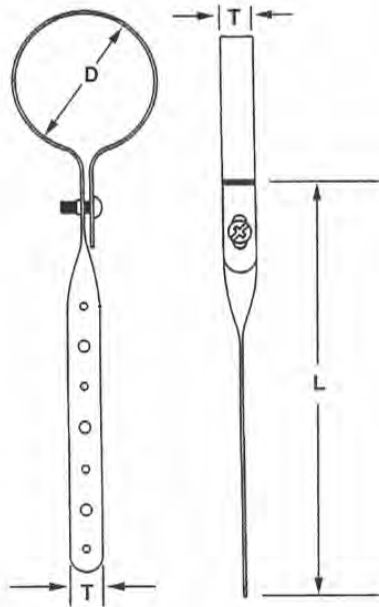
Ordering: Specify tube size, finish and part number



Part Number	Tube Size	"D" Tube O.D.	"A"	"B"	"C"	"H"	"T"	Wt./C w/screw (Lbs.)
K5800-1/2CU	1/2"	0.625"	2 3/16"	1 9/16"	1 5/8"	1 1/16"	1/2"	6
K5800-3/4CU	3/4"	0.875"	2 3/8"	1 3/4"	1 5/8"	1 3/16"	1/2"	6
K5800-1CU	1"	1.125"	2 7/16"	1 7/8"	1 5/8"	1 5/16"	1/2"	6
K5800-1 1/4CU	1 1/4"	1.375"	2 11/16"	2 1/8"	1 5/8"	1 7/16"	1/2"	8
K5800-1 1/2CU	1 1/2"	1.625"	3 1/16"	2 7/16"	1 5/8"	1 9/16"	1/2"	8
K5800-2CU	2"	2.125"	4 7/16"	2 13/16"	1 5/8"	1 13/16"	1/2"	9



Natick Hanger - K5506CU



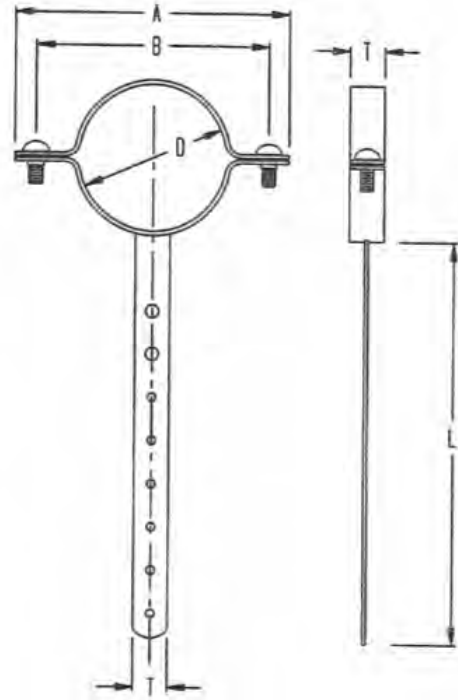
Material: Carbon Steel
Finish: Copper Plated
Service: Designed for the support of copper tube supply lines. Attaches to wood members
Ordering: Specify tube size, length and part number

Part Number	Tube Size	"D" Tube O.D.	"T"	"L"	Wt./C (Lbs.)
K5506-1/2CU	1/2"	0.625"	1/2"	6"	7
K5506-3/4CU	3/4"	0.875"	1/2"	6"	7
K5506-1CU	1"	1.125"	1/2"	6"	8
K5506-1 1/4CU	1 1/4"	1.375"	1/2"	6"	8
K5506-1 1/2CU	1 1/2"	1.625"	1/2"	6"	10
K5506-2CU	2"	2.125"	1/2"	6"	10
K5512-1/2CU	1/2"	0.625"	1/2"	12"	9
K5512-3/4CU	3/4"	0.875"	1/2"	12"	9
K5512-1CU	1"	1.125"	1/2"	12"	10
K5512-1 1/4CU	1 1/4"	1.375"	1/2"	12"	10
K5512-1 1/2CU	1 1/2"	1.625"	1/2"	12"	12
K5512-2CU	2"	2.125"	1/2"	12"	12



Milford Hanger - K5706CU

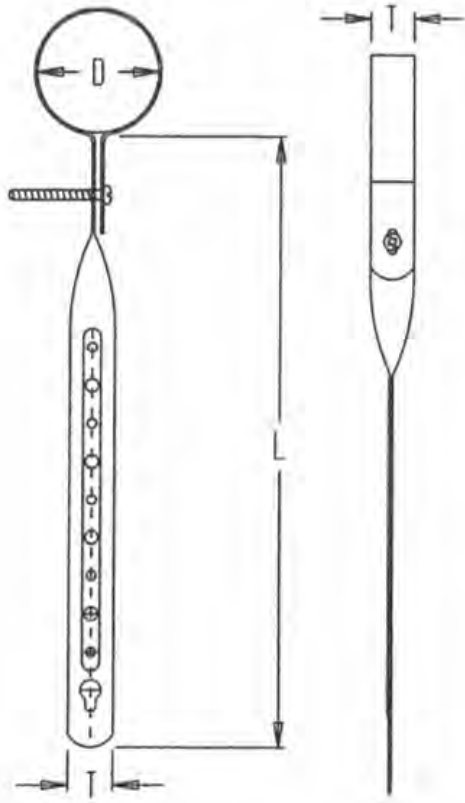
Material: Carbon Steel
Finish: Copper Plated
Service: Designed for the support of copper tube supply lines. Attaches to wood members
Ordering: Specify tube size, length and part number



Part Number	Tube Size	"D" Tube O.D.	"A"	"B"	"T"	"L"	Wt./C (Lbs.)
K5706-1/2CU	1/2"	0.625"	2 3/16"	1 9/16"	1/2"	6"	8
K5706-3/4CU	3/4"	0.875"	2 3/8"	1 3/4"	1/2"	6"	8
K5706-1CU	1"	1.125"	2 7/16"	1 7/8"	1/2"	6"	8
K5706-1 1/4CU	1 1/4"	1.375"	2 11/16"	2 1/8"	1/2"	6"	10
K5706-1 1/2CU	1 1/2"	1.625"	3 1/16"	2 7/8"	1/2"	6"	10
K5706-2CU	2"	2.125"	3 7/16"	2 13/16"	1/2"	6"	10
K5712-1/2CU	1/2"	0.625"	2 3/16"	1 9/16"	1/2"	12"	12
K5712-3/4CU	3/4"	0.875"	2 3/8"	1 3/4"	1/2"	12"	12
K5712-1CU	1"	1.125"	2 7/16"	1 7/8"	1/2"	12"	12
K5712-1 1/4CU	1 1/4"	1.375"	2 11/16"	2 1/8"	1/2"	12"	14
K5712-1 1/2CU	1 1/2"	1.625"	3 1/16"	2 7/8"	1/2"	12"	14
K5712-2CU	2"	2.125"	3 7/16"	2 13/16"	1/2"	12"	14



DWV (Drain, Waste, Vent) Hanger - K5500ZP



Material: Pre-Galvanized Carbon Steel, Pre-Copper Plated Carbon Steel

Finish: Pre-Galvanized, Copper Plated or Plastic Coated

Service: Designed for the support of PVC or ABS DWV pipe from wood joists. Evenly spaced holes allow for proper pipe pitch

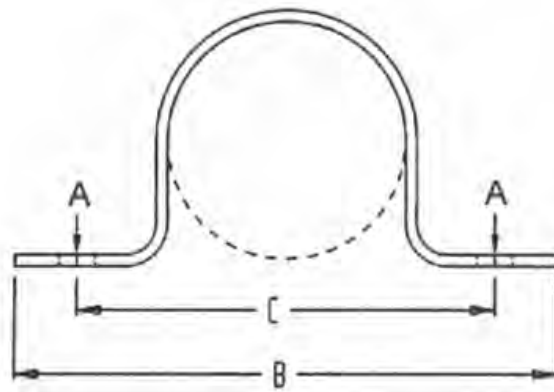
Ordering: Specify pipe size, part number and finish

Notes: K5500CU copper plated DWV hangers are NOT designed for copper DWV pipe

Part Number	Pipe Size	"D" Pipe O.D.	"T"	"L"	Wt./C (Lbs.)
K5500-1 1/2ZP	1 1/2"	1.9"	3/4"	12"	20
K5500-2ZP	2"	2.375"	3/4"	12"	22
K5500-3ZP	3"	3.5"	3/4"	12"	24
K5500-4ZP	4"	4.5"	3/4"	12"	26



Copper Two Hole Tubing Strap - K5900CU



Material: Carbon Steel

Finish: Copper Plated

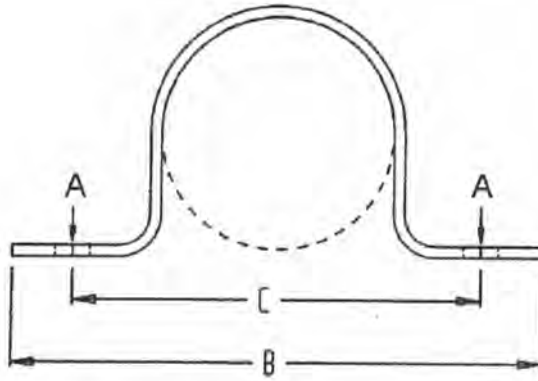
Service: Designed as a light duty support for copper tubing. Attaches directly to horizontal or vertical structural member

Ordering: Specify part number

Part Number	Pipe Size	Pipe O.D.	Material Size	"A" Hole Size	"B"	"C"	Wt./C (Lbs.)
K5900-1/4CU	1/4"	0.375"	20 ga x 1/2"	3/16"	1 3/4"	1 1/8"	1
K5900-3/8CU	3/8"	0.5"	20 ga x 1/2"	3/16"	1 7/8"	1 1/4"	1
K5900-1/2CU	1/2"	0.625"	20 ga x 1/2"	3/16"	2 1/8"	1 1/2"	1
K5900-3/4CU	3/4"	0.875"	20 ga x 1/2"	3/16"	2 3/8"	1 5/8"	2
K5900-1CU	1"	1.125"	20 ga x 1/2"	3/16"	2 7/8"	2 1/4"	2
K5900-1 1/4CU	1 1/4"	1.375"	20 ga x 1/2"	3/16"	3 1/8"	2 1/2"	4
K5900-1 1/2CU	1 1/2"	1.625"	18 ga x 3/4"	7/32"	3 5/8"	2 3/4"	5
K5900-2CU	2"	2.125"	18 ga x 3/4"	7/32"	4 1/4"	3 3/8"	6



Two Hole Pipe Strap - K5900



Material: Pre-Galvanized Carbon Steel

Finish: Pre-Galvanized

Service: Designed as a light duty support for schedule 40/80 sized pipe. Attaches directly to horizontal or vertical structural member

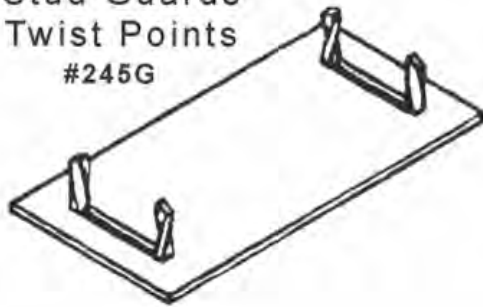
Ordering: Specify part number

Part Number	Pipe Size	Pipe O.D.	"A" Hole Size	"B"	"C"	Wt./C (Lbs.)
K5900-1/4ZP	1/4"	0.54"	7/32"	2 1/8"	1 1/4"	1
K5900-3/8ZP	3/8"	0.675"	7/32"	2 1/4"	1 1/2"	3
K5900-1/2ZP	1/2"	0.84"	7/32"	2 5/8"	1 7/8"	4
K5900-3/4ZP	3/4"	1.05"	7/32"	2 3/4"	2"	7
K5900-1ZP	1"	1.315"	9/32"	3 3/8"	2 5/8"	9
K5900-1 1/4ZP	1 1/4"	1.66"	9/32"	4 1/4"	3 1/4"	10
K5900-1 1/2ZP	1 1/2"	1.9"	9/32"	4 3/8"	3 3/8"	13
K5900-2ZP	2"	2.375"	9/32"	5"	4"	18
K5900-2 1/2ZP	2 1/2"	2.875"	11/32"	6 1/4"	4 3/4"	26
K5900-3ZP	3"	3.5"	11/32"	7 1/4"	5 3/4"	32
K5900-4ZP	4"	4.5"	11/32"	8 3/8"	6 7/8"	40
K5900-6ZP	6"	6.625"	11/32"	11 1/8"	9 5/8"	75

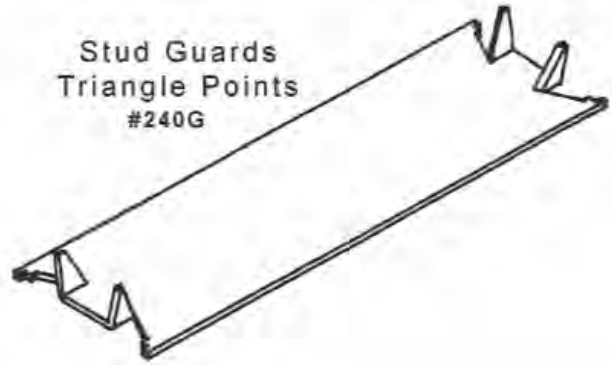


Stud Guards

Stud Guards
Twist Points
#245G



Stud Guards
Triangle Points
#240G



Material: Carbon Steel

Service: Designed to protect piping and electrical lines that pass through metal framing from damage due to penetration from drywall or other fasteners. Simple installation with a hammer

Ordering: Specify part number

Part Number	Gauge	Size (WxL)	Style	Wt./C (Lbs.)
Stud-3	18	1 1/2" x 3"	Triangle Point	6
Stud-5	18	1 1/2" x 5"	Triangle Point	10
Stud-90 63	19	1 1/2" x 3"	Nail Holes	6
Stud-90 66	19	1 1/2" x 6"	Nail Holes	11

