

AIR-PORT SERIES SUPPORT

Specifications sheet:

Curb

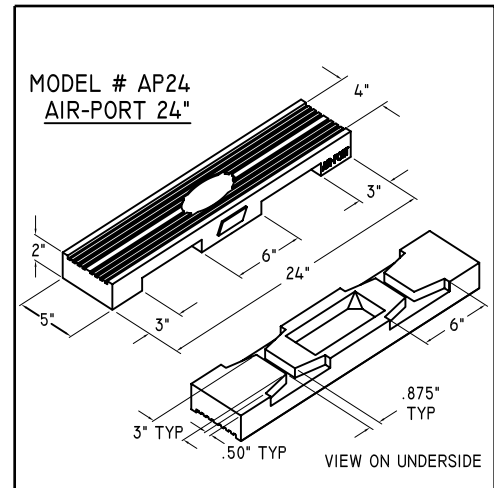
Dimensions: 2" High x 5" Wide x Length (base length)

Material: 100% recycled rubber, UV-resistant

Weight: 7.12lbs (AP24), 12.14lbs (AP36)

Maximum Load: 850 lbs (all sizes)

C-Port CX- Series: The AIR-PORT is made from 100% recycled rubber and designed as a non-penetrating economical and light-weight support safe for installation on any type of roofing material or other flat surface. Grooved recessed tray design prevents movement and dampens vibration while providing a solid support for all electrical and HVAC equipment. The proprietary free-flow leg system allows for easy water passage beneath the equipment inhibiting the growth of harmful moss and mould. The UV-resistant AIR-PORT is the perfect long-lasting alternative to roof-damaging heavy concrete curbing and pressure-treated wood blocks.



AIR-PORT SERIES Rubber Support

| CAT# | HEIGHT (H) | WIDTH (W) | LENGTH (L) | WEIGHT |
|------|------------|-----------|------------|-----------|
| AP24 | 2" | 5" | 24" | 7.12 LBS |
| AP36 | 2" | 5" | 36" | 12.14 LBS |