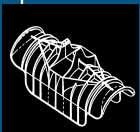
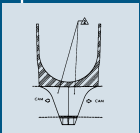
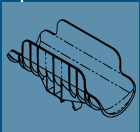
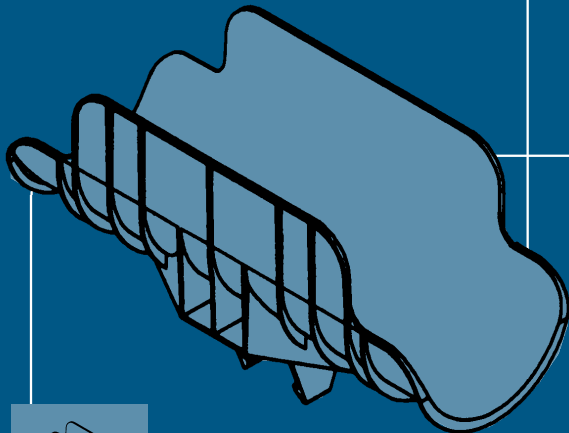
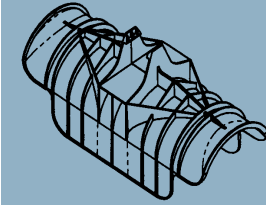
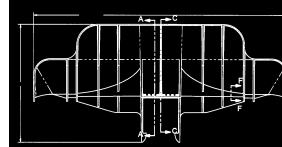
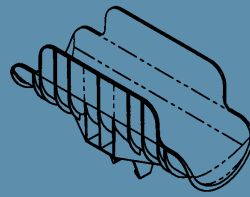


INSUGUARD®



An innovative
concept of insulation
PROTECTION
for your
pipe installations



INSUGUARD®

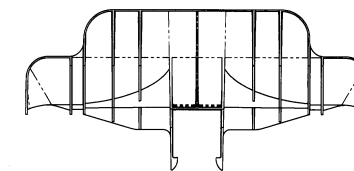
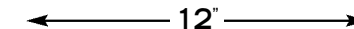
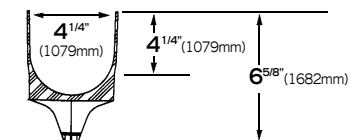
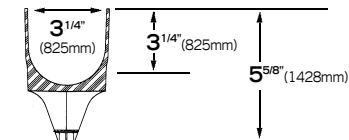
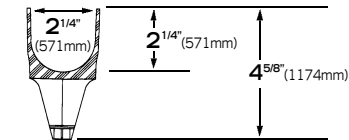
INSUGUARD is designed to accommodate movement of the pipes generated by thermal expansion and vibration. It allows the pipe to slide easily into the protector.

INSUGUARD eliminates insulation tears, costly leaks caused by pipe friction against the metal parts of the suspension or the structure. It holds up to the highest quality standards of the industry.

Easy to install, the INSUGUARD protector directly fits the standard channel used in the industry. You only have to fix the protector on the channel.

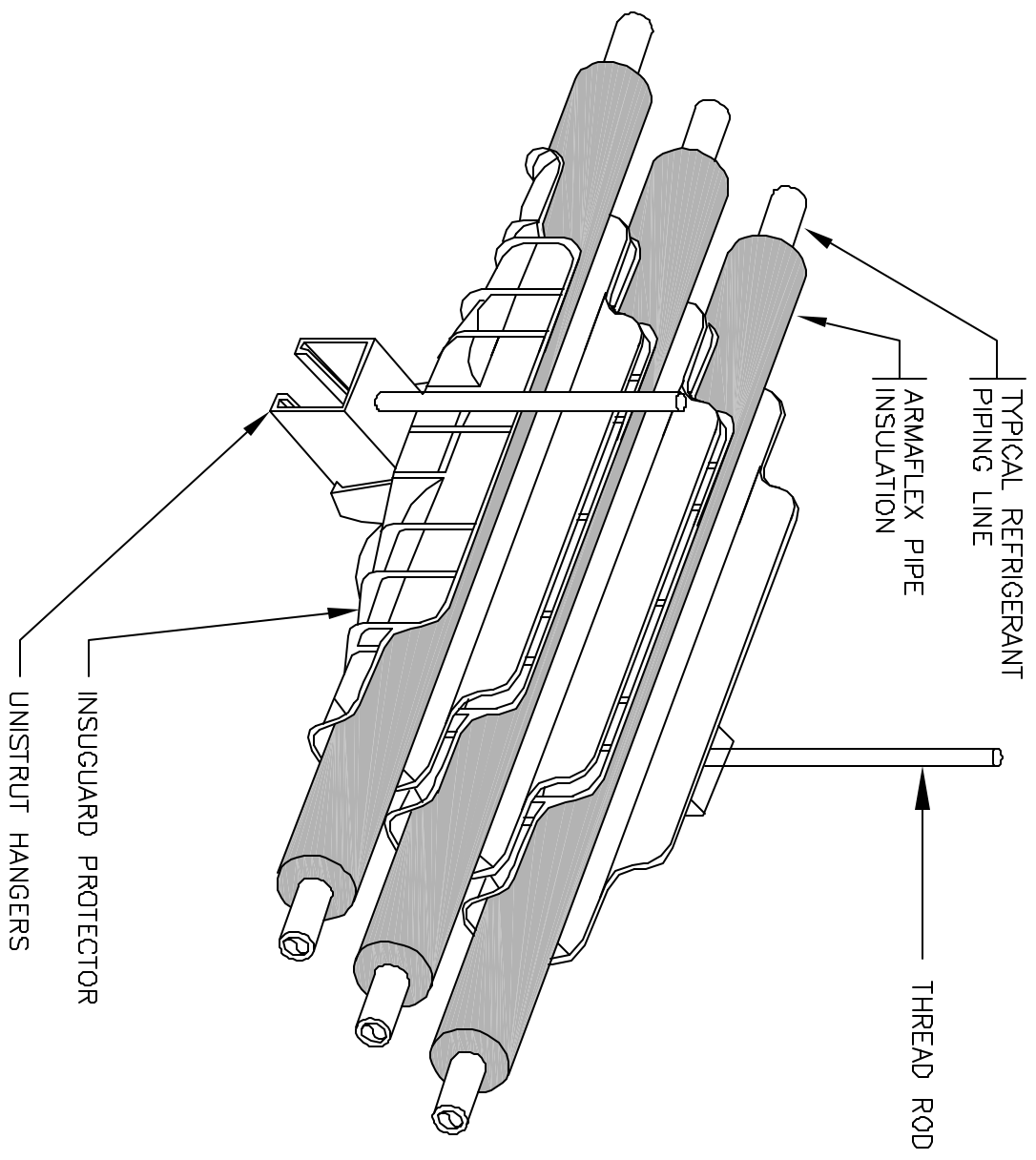
INSUGUARD's revolutionary design protects your piping system and improves its appearance. It's a practical and economical way to standardize your entire installations.

INSUGUARD is available in three sizes.



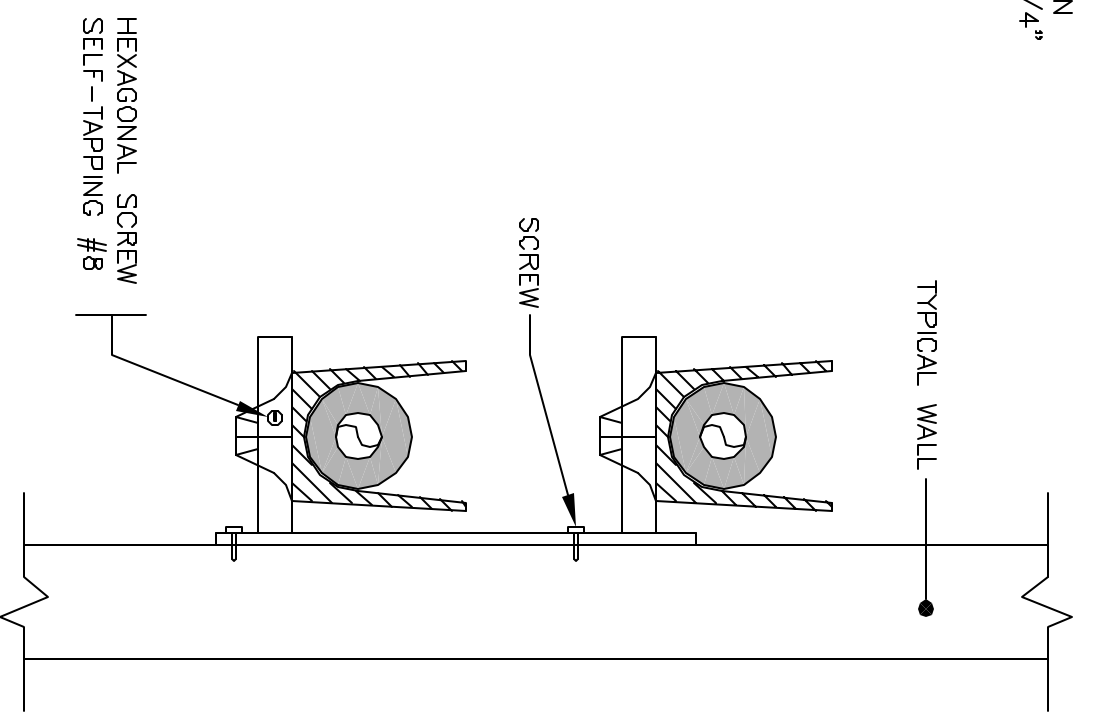
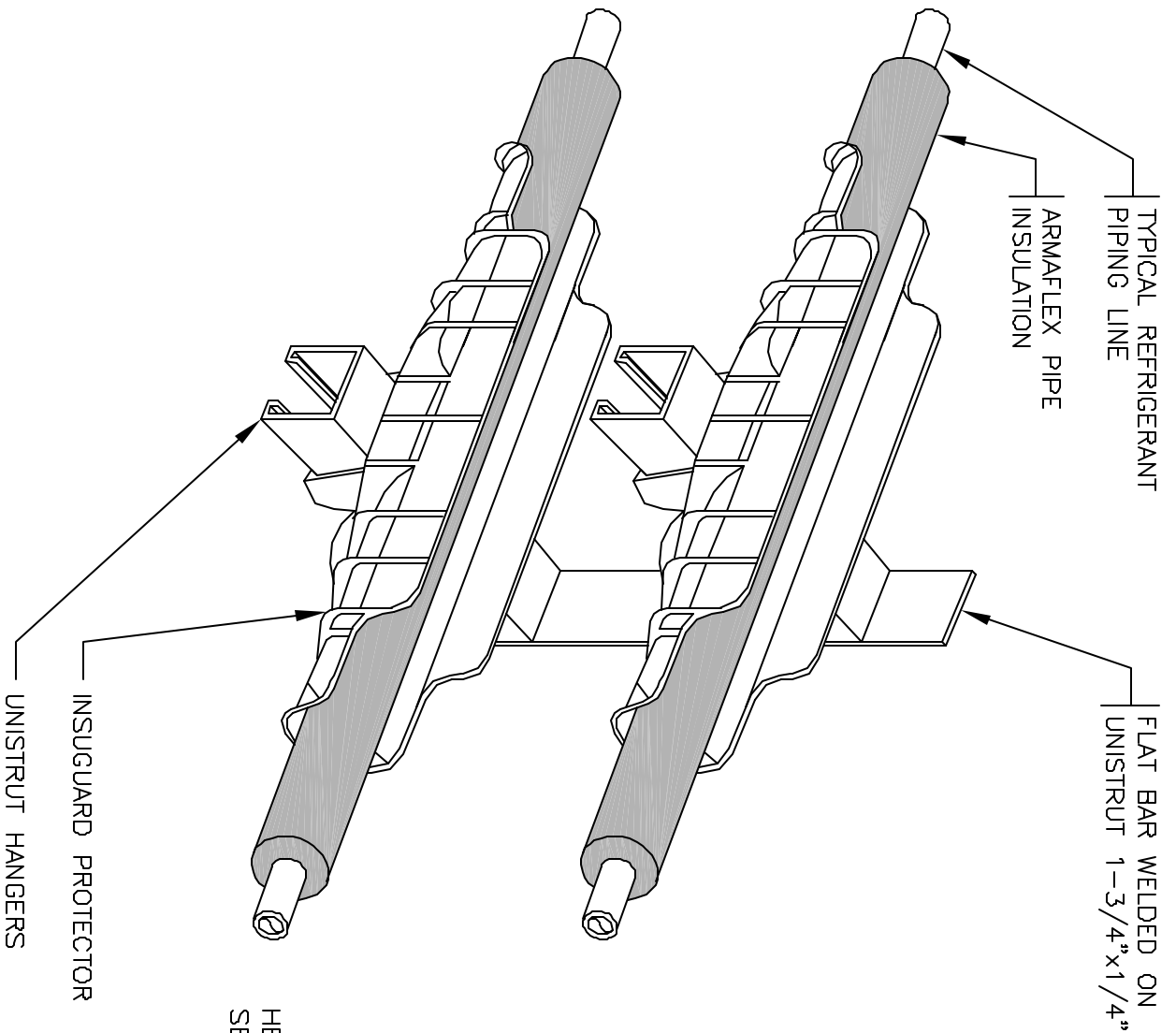
AVAILABLE AT:

INSUGUARD is a brand of TB Concept inc.



TYPICAL HORIZONTAL INSTALLATION DETAIL REFRIGERANT PIPING PROTECTOR

NOT TO SCALE



TYPICAL WALL MOUNTING DETAIL REFRIGERANT PIPING PROTECTOR

NOT TO SCALE